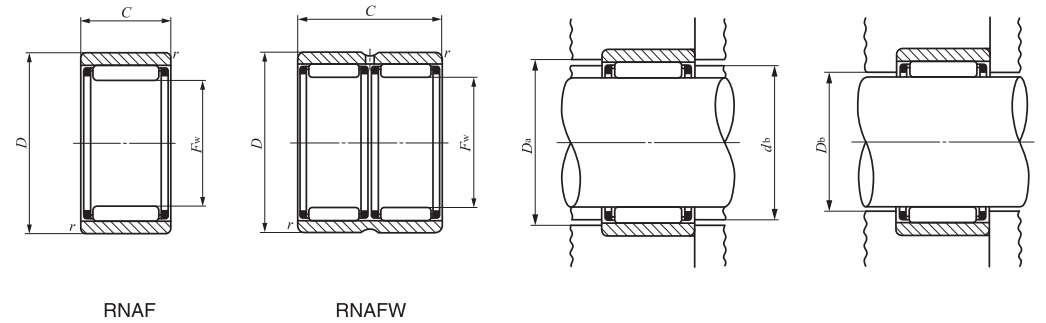
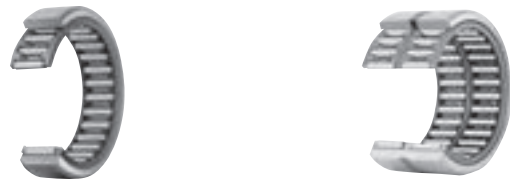


**NEEDLE ROLLER BEARINGS WITH SEPARABLE CAGE**

Without Inner Ring



Shaft dia. 45 – 100mm

Shaft dia. mm	Identification number	Mass (Ref.) g	Boundary dimensions mm				Standard mounting dimensions mm			Basic dynamic load rating C N	Basic static load rating C <sub>0</sub> N
			F <sub>w</sub>	D	C	r <sub>s min</sub> <sup>(1)</sup>	d <sub>b</sub>	D <sub>a</sub> Max.	D <sub>b</sub>		
45	<b>RNAF 455517</b>	83.5	45	55	17	0.3	48.5	53	45.8	23 300	47 100
	<b>RNAFW 455534</b>	167	45	55	34	0.3	48.5	53	45.8	39 900	94 200
	<b>RNAF 456220</b>	184	45	62	20	0.3	50.9	60	45.8	33 200	53 300
	<b>RNAFW 456240</b>	370	45	62	40	0.3	50.9	60	45.8	56 900	107 000
50	<b>RNAF 506220</b>	138	50	62	20	0.3	54.2	60	50.8	27 100	59 300
	<b>RNAFW 506240</b>	275	50	62	40	0.3	54.2	60	50.8	46 400	119 000
	<b>RNAF 506520</b>	170	50	65	20	0.3	55.2	63	50.8	35 900	61 100
	<b>RNAFW 506540</b>	340	50	65	40	0.6	55.2	61	50.8	61 500	122 000
55	<b>RNAF 556820</b>	167	55	68	20	0.3	59.5	66	55.8	28 600	66 000
	<b>RNAFW 556840</b>	335	55	68	40	0.3	59.5	66	55.8	49 000	132 000
	<b>RNAF 557220</b>	220	55	72	20	1	60.9	67	55.8	37 400	66 400
	<b>RNAFW 557240</b>	440	55	72	40	1	60.9	67	55.8	64 100	133 000
60	<b>RNAF 607820</b>	255	60	78	20	1	66.3	73	60.8	38 900	71 700
	<b>RNAFW 607840</b>	510	60	78	40	1	66.3	73	60.8	66 700	143 000
65	<b>RNAF 658530</b>	470	65	85	30	1.5	72	77	66	59 300	127 000
	<b>RNAFW 658560</b>	945	65	85	60	1.5	72	77	66	102 000	255 000
70	<b>RNAF 709030</b>	500	70	90	30	1.5	77	82	71	61 200	136 000
	<b>RNAFW 709060</b>	1 000	70	90	60	1.5	77	82	71	105 000	272 000
75	<b>RNAF 759530</b>	530	75	95	30	1.5	82	87	76	63 100	144 000
	<b>RNAFW 759560</b>	1 060	75	95	60	1.5	82	87	76	108 000	289 000
80	<b>RNAF 8010030</b>	560	80	100	30	1.5	87	92	81	65 000	153 000
	<b>RNAFW 8010060</b>	1 120	80	100	60	1.5	87	92	81	111 000	306 000
85	<b>RNAF 8510530</b>	590	85	105	30	1.5	92	97	86	66 600	161 000
90	<b>RNAF 9011030</b>	625	90	110	30	1.5	97	102	91	69 600	174 000
95	<b>RNAF 9511530</b>	655	95	115	30	1.5	102	107	96	70 900	182 000
100	<b>RNAF 10012030</b>	685	100	120	30	1.5	107	112	101	72 500	191 000

Notes<sup>(1)</sup> Minimum allowable value of chamfer dimension r  
<sup>(2)</sup> Allowable rotational speed applies to oil lubrication. For grease lubrication, a maximum of 50% of this value is allowable.  
 Remarks1. RNAF has no oil hole. RNAFW is provided with an oil groove and an oil hole on the outer ring.  
 2. No grease is prepacked. Perform proper lubrication.

Allowable rotational speed <sup>(2)</sup> min <sup>-1</sup>
11 000
11 000
11 000
11 000
10 000
10 000
10 000
10 000
9 000
9 000
9 000
9 000
8 500
8 500
7 500
7 500
7 000
7 000
6 500
6 500
6 000
6 000
6 000
5 500
5 500
4 500